

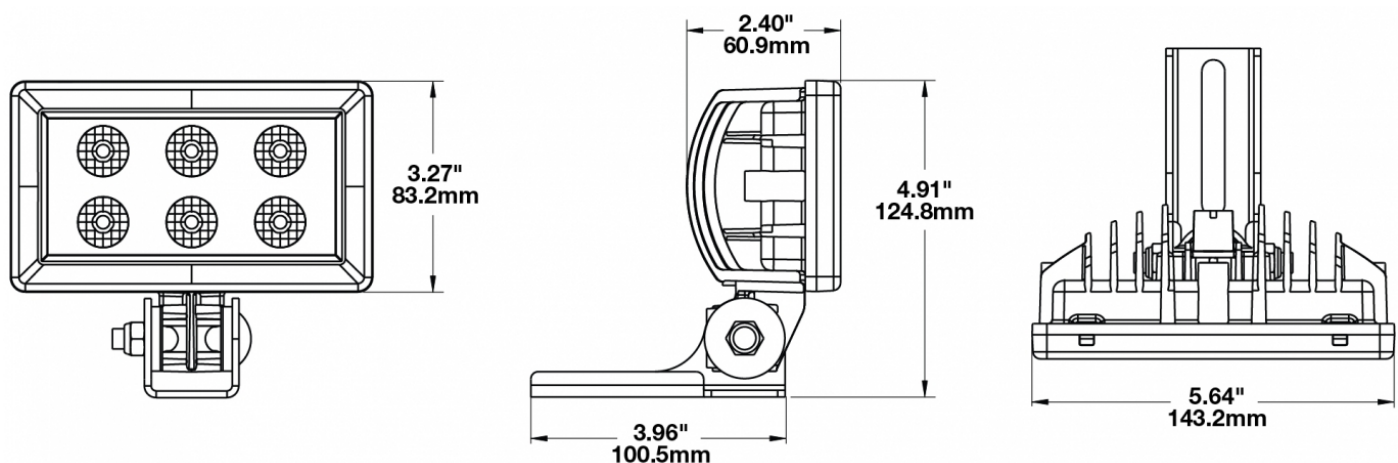
LED Work Light - Model 806

PRODUCT INFORMATION

Description	12V LED Work Light with Flood Beam Pattern & Bottom Mount
Height	124.71 mm / 4.91 in
Width	143.26 mm / 5.64 in
Depth	60.45 mm / 2.38 in
Shape	Rectangular
Outer Lens Material	Glass
Outer Lens Color	Clear
Housing Material	Die-Cast Aluminum
Housing Color	Black
Mounting Type	Bottom Mount
Minimum Operating Temperature	-40 °C / -40 °F
Maximum Operating Temperature	65 °C / 149 °F
Mating Connector	Packard (#12020599)
Product Weight	1.95 lbs / 0.88 kgs
Shipping Weight	33.00 lbs / 14.97 kgs



PRODUCT DIMENSIONS



Print date: 2024-08-11

© 2024 J.W. Speaker Corporation • Germantown, WI U.S.A.
www.jwspeaker.com • speaker@jwspeaker.com • 262.251.6660

J.W. SPEAKER
 Engineered. Lighting. Solutions.

LED Work Light - Model 806

ELECTRICAL SPECIFICATIONS

Input Voltage	12V DC
Operating Voltage	9-16V DC
Transient Spike Protection	150V Peak @ 1 HZ-100 Pulses
Black Wire	Negative
Current Draw	1.5A @ 12V DC

REGULATORY STANDARDS COMPLIANCE



Buy America Standards

IEC IP67

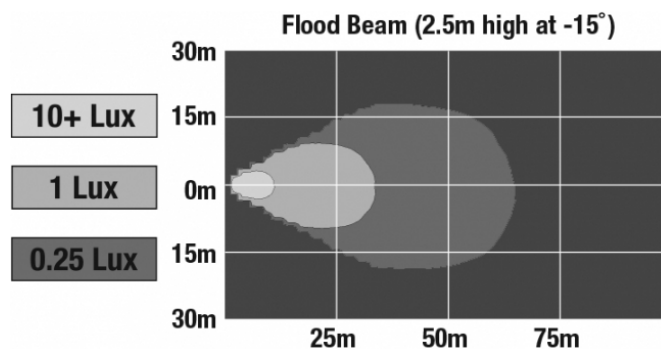
Tested to ECE Reg. 10
(Radiated Emissions only)

Eco Friendly

SAE J1113-21

PHOTOMETRIC SPECIFICATIONS

Raw Lumen Output	1,900
Effective Lumen Output	780
Nominal LED Color Temperature	5000 K
Beam Pattern(s)	Forward Lighting - Flood (Standard)



Print date: 2024-08-11

© 2024 J.W. Speaker Corporation • Germantown, WI U.S.A.
www.jwspeaker.com • speaker@jwspeaker.com • 262.251.6660

J.W. SPEAKER
Engineered. Lighting. Solutions.

LED Work Light - Model 806

APPLICATIONS



PRODUCT WARNINGS

For California residents:

⚠ **WARNING:** Cancer and reproductive harm - www.P65Warnings.ca.gov.

⚠ **AVERTISSEMENT:** Cancer et effet nocif sur la reproduction - www.P65Warnings.ca.gov.

RELATED PRODUCTS



Part Number

0545981

12V LED Work Light
with Flood Beam
Pattern & Side Mount